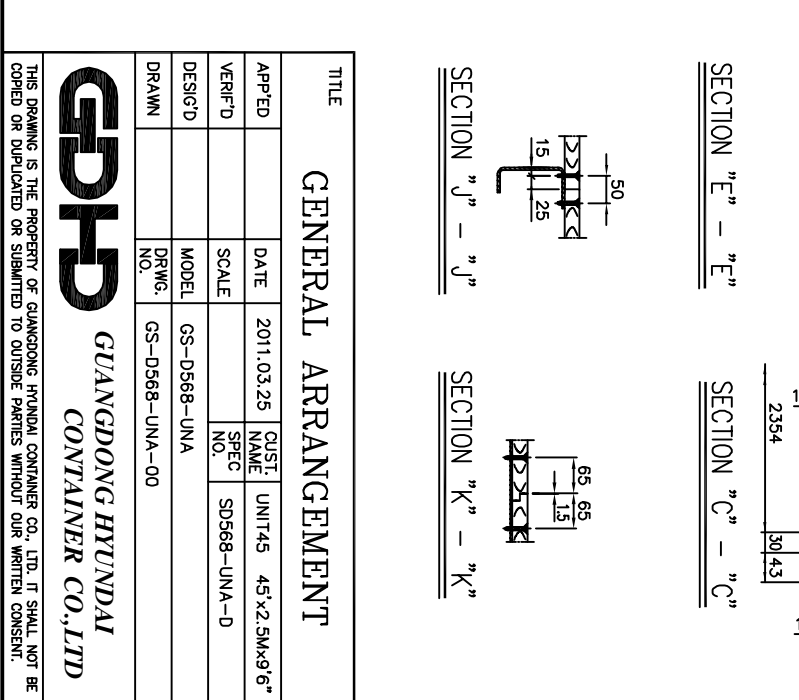
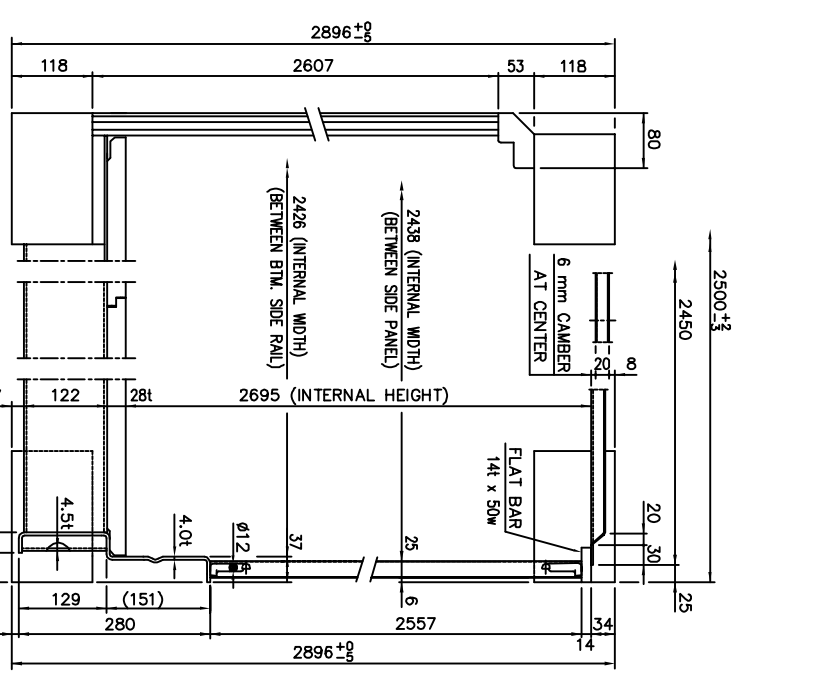


EXTERNAL	LENGTH	13716 <sup>+10</sup> MM	45' - 0"	<sup>+0</sup> / <sub>-3/e</sub>
	WIDTH	2500 <sup>+3</sup> MM	8' - 2 7/16"	<sup>+1/8</sup> / <sub>-1/e</sub>
	HEIGHT	2896 <sup>+0</sup> MM	9' - 6"	<sup>+0</sup> / <sub>-3/e</sub>
INTERNAL	LENGTH	13556 MM	44' - 5 11/16"	
	WIDTH	2438 MM	8' - 0"	
	HEIGHT	2695 MM	8' - 10 1/16"	
DOOR OPENING	WIDTH	2416 MM	7' - 11 1/8"	
	HEIGHT	2585 MM	8' - 5 3/4"	
MAX. GROSS WEIGHT	MAX. GROSS WEIGHT	34000 KG	74960 LB	
TARE WEIGHT	TARE WEIGHT	4320 KG	9520 LB	
MAX. PAYLOAD	MAX. PAYLOAD	29680 KG	65440 LB	
INSIDE CUBIC CAPACITY	INSIDE CUBIC CAPACITY	89.0 CUM	3145 CUFT	



GENERAL ARRANGEMENT

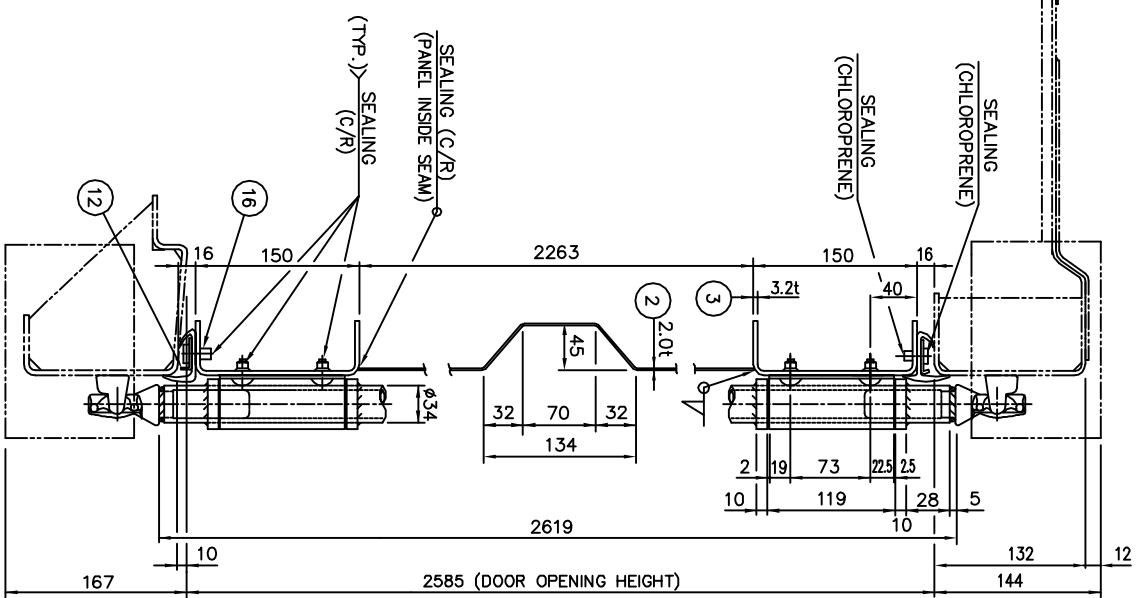
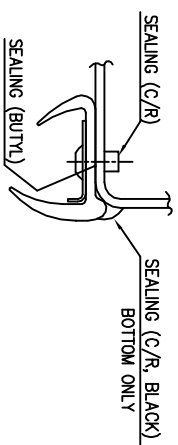
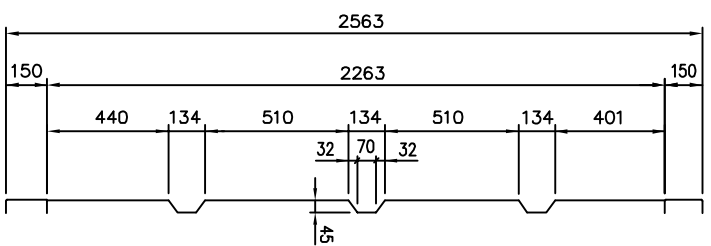
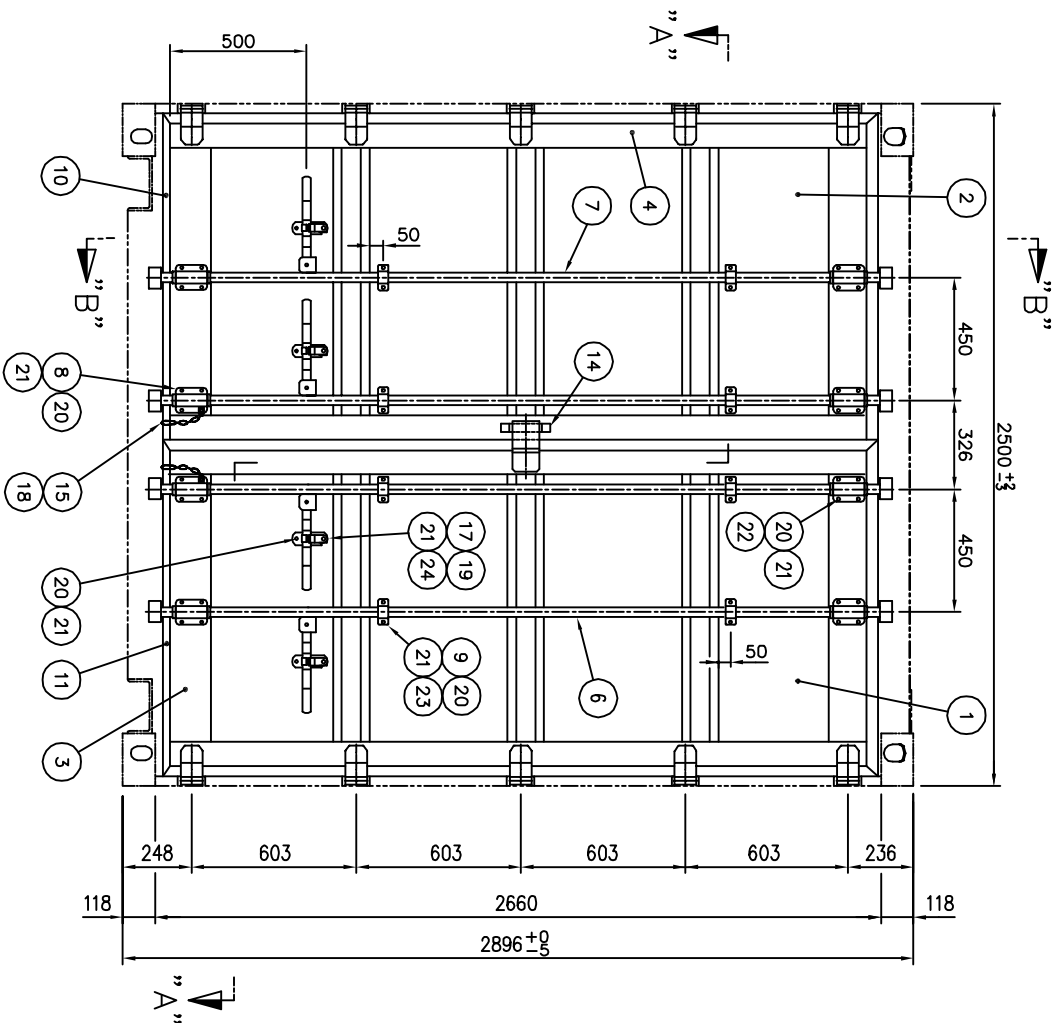
TITLE	GENERAL ARRANGEMENT			
APPTD	DATE	CLIENT NAME	UNIT/AS	SIZE
VERIFD	2011.03.25	GUANGDONG HYUNDAI CONTAINER CO., LTD.	45'x2.5Mx9'6"	
DESIG'D	SCALE	DRWG. NO.	MODEL	
DRAWN		GS-D568-UNA-00	GS-D568-UNA-D	

**GHD** GUANGDONG HYUNDAI CONTAINER CO., LTD

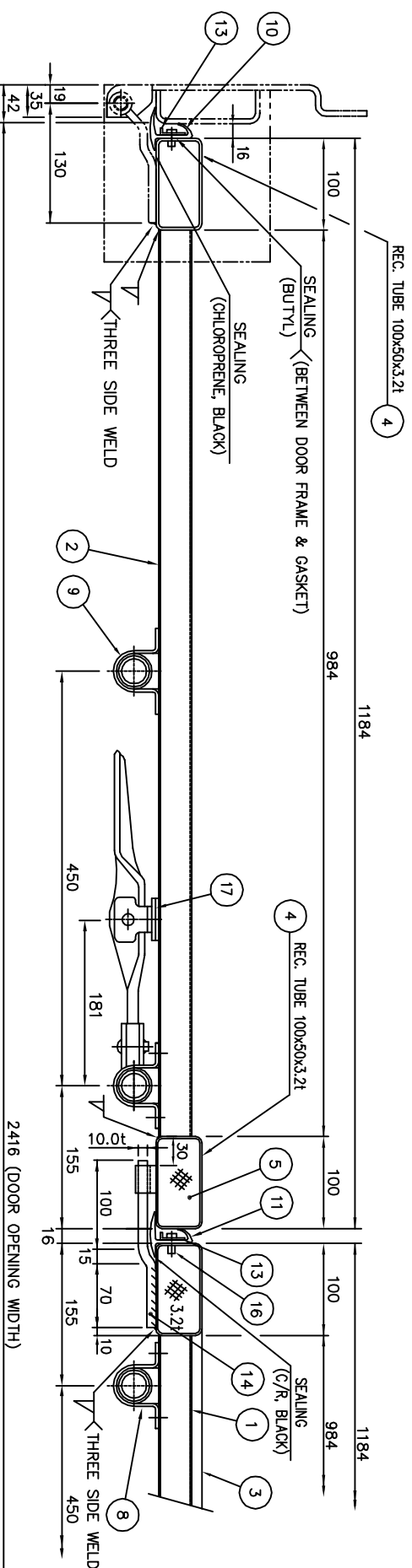
THIS DRAWING IS THE PROPERTY OF GUANGDONG HYUNDAI CONTAINER CO., LTD. IT SHALL NOT BE COPIED OR DUPLICATED OR SUBMITTED TO OUTSIDE PARTIES WITHOUT OUR WRITTEN CONSENT.





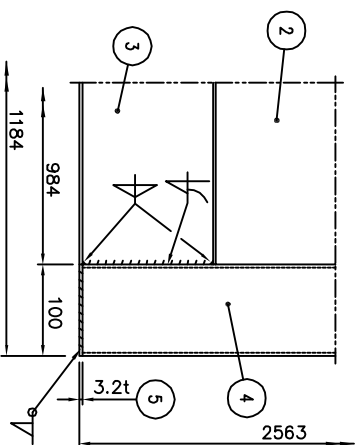


SECTION "B" - "B"



SECTION "A" - "A"

ITEM	PART NO.	QTY	DESCRIPTION
27			A/R SEALANT (BUTYL)
26			A/R SEALANT (CHLOROPRENE, BLACK)
25			A/R SEALANT (CHLOROPRENE, GREY)
24			4 GASKET, HANDLE RETAINER (E.P.D.M.)
23			8 GASKET, SMALL BRACKET (E.P.D.M.)
22			8 GASKET, LARGE BRACKET (E.P.D.M.)
21			56 COLLAR (STL ALLOY 2662-12)
20			52 LOCK BOLT (STL ALLOY 2621-1206)
19			4 LOCK BOLT (STL ALLOY 2621-1210)
18			2 THE CHAIN (SS400, ZINC PLATED)
17			4 HANDLE RETAINER ASSY (SS400, GALVANIZED)
16			106 BLIND RIVET (SUS, Ø3/16x16 LG)
15			2 THE HOLDER (SS400, ZINC PLATED)
14			1 SET ANTI RACKING DEVICE (SM490A & SCHWAB, ZINC PLATED)
13			3 SEAL RETAINER VERTICAL (SUS304)
12			4 SEAL RETAINER HORIZONTAL (SUS304)
11			1 GASKET R/H (E.P.D.M.)
10			1 GASKET L/H (E.P.D.M.)
9			8 SMALL BRACKET ASSY (SS400, GALVANIZED)
8			8 LARGE BRACKET ASSY (SS400, GALVANIZED)
7			2 LOCKING ROD ASSY L/H (GALVANIZED)
6			2 LOCKING ROD ASSY R/H (GALVANIZED)
5			8 DOOR VERTICAL MEMBER FILER (SPA-H)
4			4 VERTICAL MEMBER (SPA-H)
3			4 HORIZONTAL MEMBER (SPA-H)
2			1 PANEL L/H (SPA-H)
1			1 PANEL R/H (SPA-H)



DOOR CORNER INSIDE VIEW

- NOTE
1. LOCKING ROD ASSY TO BE FITTED AFTER FINAL PAINTING OF THE CONTAINER
  2. ALL COLLARS OF LOCK BOLT INSIDE

DOOR ARRANGEMENT

TITLE	DATE	APP'D	DESIG'D	DRW'G
DOOR ARRANGEMENT	2011.03.25			
VERIF'D	SCALE	NAME	SPEC	NO.
MODEL	NO.	UNIT	NO.	NO.
GS-D568-UNA		745	45'x2.5Mx9'6"	
DRWG. NO.	NO.	NO.	NO.	NO.
GS-D568-UNA-03				









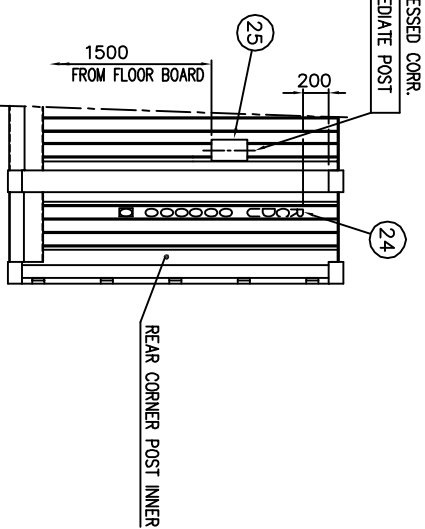
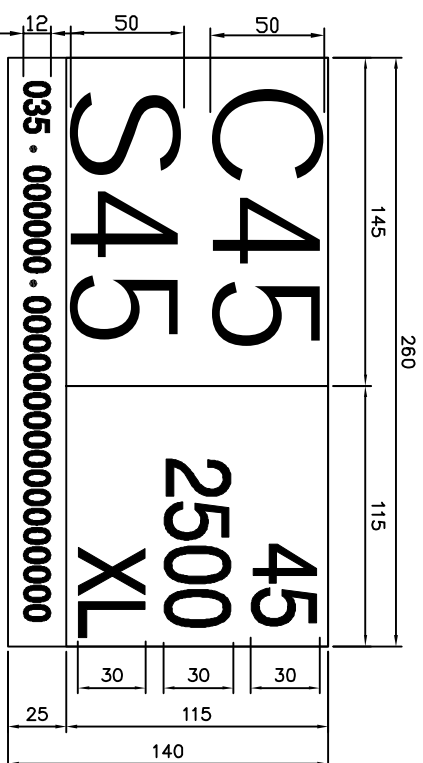


**MATERIAL SPECIFICATION "SEMI-PEC II"**  
(SEMI-ULTRA LIGHT 45 FT PALLET WIDE EURO CONTAINER)

<b>STEEL</b>	<b>COMPONENT</b>
DOMEX 700 W STEEL (or EQUIVALENT)	CORNER POSTS (ALL)
Y.P. 700 N/MM2	INTERMEDIATE TOP RAILS
T.S. 750 N/MM2	BASE STRUCTURES (EXCEPT BOTTOM SIDE RAILS, MAIN & GOOSENECK TUNNEL)
DOMEX 550 W STEEL (or EQUIVALENT)	GOOSENECK TUNNEL
Y.P. 550 N/MM2	
T.S. 600 N/MM2	
COR-TEN STEEL	PANELS (ALL)
Y.P. 350 N/MM2	BOTTOM SIDE RAILS (MAIN)
T.S. 490 N/MM2	FRONT & DOOR HEADER
	DOOR HORIZONTAL MEMBERS
	REMAINING STRUCTURAL COMPONENTS
<b>PAINT : MEGA SPECIFICATION</b>	
<b>EXTERIOR</b>	EPOXY ZINC RICH PRIMER
PRIMER	EPOXY ZINC PHOSPHATE
MIDDLE COAT	POLYURETHANE (SELF CLEANING)
TOP COAT	RAL 1003
<b>INTERIOR</b>	
PRIMER	EPOXY ZINC RICH PRIMER
TOP COAT	EPOXY HIGH BUILD
	RAL 7035
<b>UNDER STRUCTURE</b>	
PRIMER	EPOXY ZINC RICH PRIMER
MIDDLE COAT	EPOXY PHOSPHATE
TOP COAT	BITUMEN WAX
<b>DOOR HARDWARE</b>	
TYPE	SURALOC "SL-F/1 HC"

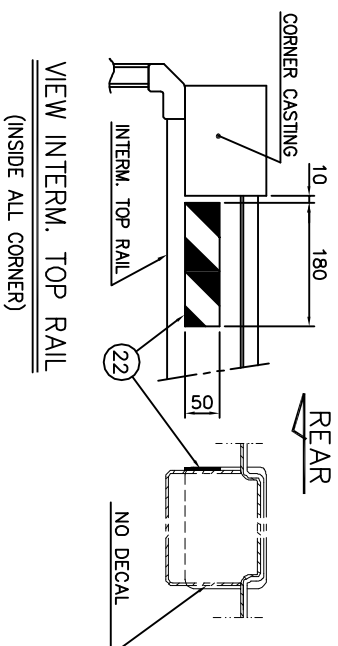
297

28 BLACK ON YELLOW

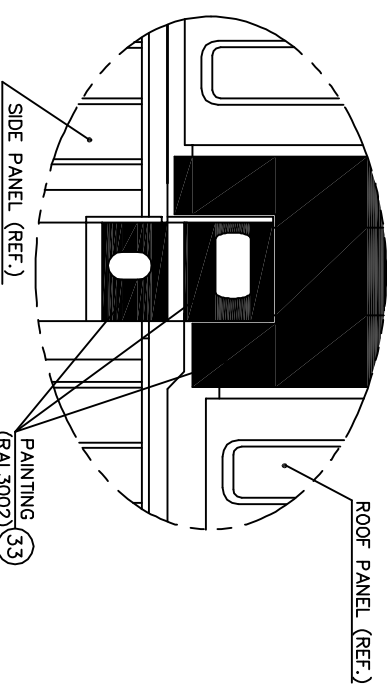


VIEW R/H INSIDE PANEL  
(NEAR DOOR)

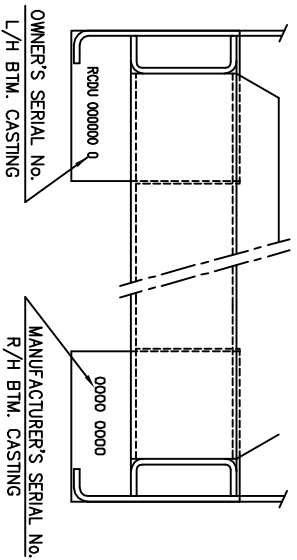
CENTER LINE OF 1-st RECESSED CORR.  
FROM THE END OF INTERMEDIATE POST



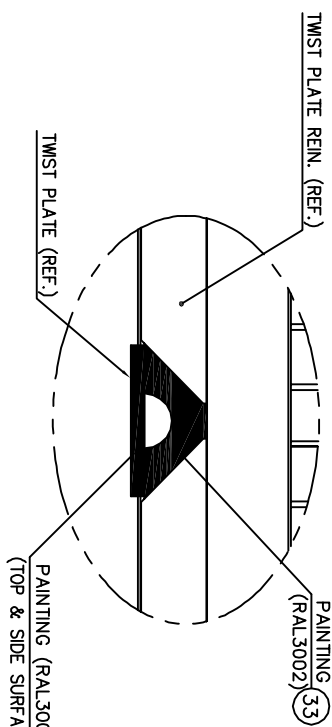
VIEW INTERM. TOP RAIL  
(INSIDE ALL CORNER)



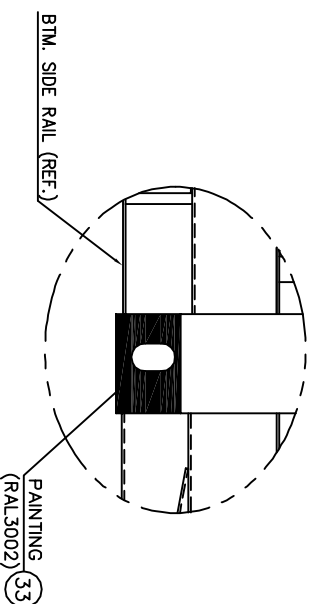
DETAIL OF PAINTING  
(40' TOP CASTING & INTERM. TOP CORNER REINFORCEMENT)



SECTION "A" - "A"



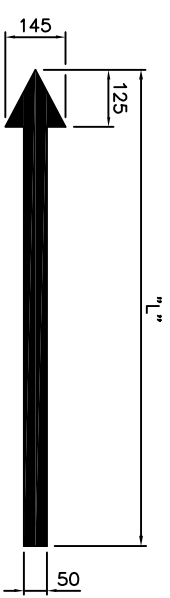
DETAIL OF PAINTING  
(TWIST PLATE)



DETAIL OF PAINTING  
(40' BTM. CASTING)

ITEM	REMARKS	QTY	DESCRIPTION
1		2	SIZE AND TYPE CODE, DOOR (WHITE, KISS CUT)
2		2	SIZE AND TYPE CODE, SIDE (WHITE, KISS CUT)
3		2	OWNER CODE & SERIAL NO., DOOR (WHITE, KISS CUT)
4		2	OWNER CODE & SERIAL NO., SIDE (WHITE, KISS CUT)
5		2	OWNER CODE & SERIAL NO., FRONT & REAR (WHITE, KISS CUT)
6		2	OWNER CODE & SERIAL NO., ROOF (WHITE, KISS CUT)
7		2	OWNER CODE & SERIAL NO., DOOR (WHITE, KISS CUT)
8		2	OWNER CODE & SERIAL NO., ROOF (WHITE, KISS CUT)
9		2	OWNER CODE & SERIAL NO., FRONT & REAR (WHITE, KISS CUT)
10		2	OWNER CODE & SERIAL NO., ROOF (WHITE, KISS CUT)
11		2	OWNER CODE & SERIAL NO., DOOR (WHITE, KISS CUT)
12		2	OWNER CODE & SERIAL NO., FRONT & REAR (WHITE, KISS CUT)
13		2	OWNER CODE & SERIAL NO., ROOF (WHITE, KISS CUT)
14		2	OWNER CODE & SERIAL NO., DOOR (WHITE, KISS CUT)
15		2	OWNER CODE & SERIAL NO., FRONT & REAR (WHITE, KISS CUT)
16		2	OWNER CODE & SERIAL NO., ROOF (WHITE, KISS CUT)
17		2	OWNER CODE & SERIAL NO., DOOR (WHITE, KISS CUT)
18		2	OWNER CODE & SERIAL NO., FRONT & REAR (WHITE, KISS CUT)
19		2	OWNER CODE & SERIAL NO., ROOF (WHITE, KISS CUT)
20		2	OWNER CODE & SERIAL NO., DOOR (WHITE, KISS CUT)
21		2	OWNER CODE & SERIAL NO., FRONT & REAR (WHITE, KISS CUT)
22		2	OWNER CODE & SERIAL NO., ROOF (WHITE, KISS CUT)
23		2	OWNER CODE & SERIAL NO., DOOR (WHITE, KISS CUT)
24		2	OWNER CODE & SERIAL NO., FRONT & REAR (WHITE, KISS CUT)
25		2	OWNER CODE & SERIAL NO., ROOF (WHITE, KISS CUT)
26		2	OWNER CODE & SERIAL NO., DOOR (WHITE, KISS CUT)
27		2	OWNER CODE & SERIAL NO., FRONT & REAR (WHITE, KISS CUT)
28		2	OWNER CODE & SERIAL NO., ROOF (WHITE, KISS CUT)
29		2	OWNER CODE & SERIAL NO., DOOR (WHITE, KISS CUT)
30		2	OWNER CODE & SERIAL NO., FRONT & REAR (WHITE, KISS CUT)
31		2	OWNER CODE & SERIAL NO., ROOF (WHITE, KISS CUT)
32		2	OWNER CODE & SERIAL NO., DOOR (WHITE, KISS CUT)
33		2	OWNER CODE & SERIAL NO., FRONT & REAR (WHITE, KISS CUT)

\* DECAL MATERIAL : 3M (CAST VINYL)



\* LENGTH \*  
- ROOF : 1020  
- DOOR : 1120  
- FRONT : 1250

DETAIL OF ARROW DECAL

\* 100 UNITS  
RCDU 500001 - 500100

MARK	REV. DATE	SIGN	DETAIL OF REVISION
Δ			

MARKING ARRANGEMENT 2			
APPLIED	DATE	CUST. NAME	UNIT45 45'x2.5Mx9'6"
VERIF'D	SCALE	SPEC. NO.	SD568 - UNA - D
DESIGN'D	MODEL	GS-0568-UNA	
DRAM	DRWG. NO.	GS-0568-UNA-08	

# APPROVED FOR TRANSPORT UNDER CUSTOMS SEAL

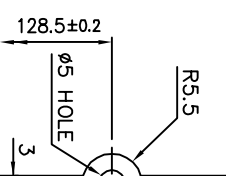
TYPE **GS-D568-UNA**

MANUFACTURER'S No. OF THE CONTAINER

**GH**

50

UNIT45 by  
Villapark 7-8  
3051 BP Rotterdam  
The Netherlands  
voice +31102110222  
fax +31102183284  
mail [info@unit45.com](mailto:info@unit45.com)

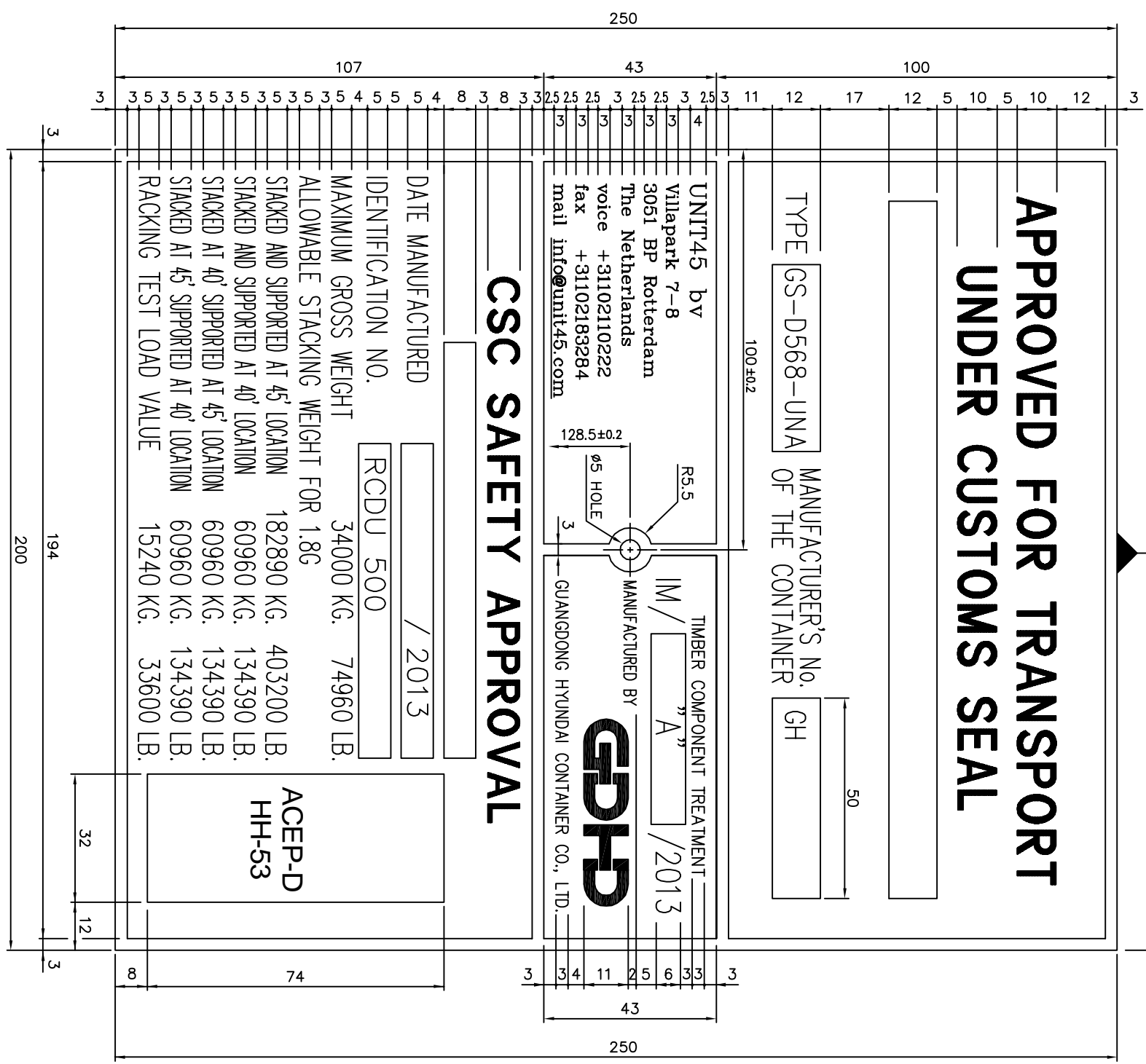


TIMBER COMPONENT TREATMENT  
IM / "A" / 2013  
MANUFACTURED BY  
**GDHD**  
GUANGDONG HYUNDAI CONTAINER CO., LTD.

## CSC SAFETY APPROVAL

DATE MANUFACTURED / 2013  
IDENTIFICATION NO. **RCDU 500**  
MAXIMUM GROSS WEIGHT 34000 KG. 74960 LB.  
ALLOWABLE STACKING WEIGHT FOR 1.8G  
STACKED AND SUPPORTED AT 45° LOCATION 182890 KG. 403200 LB.  
STACKED AND SUPPORTED AT 40° LOCATION 60960 KG. 134390 LB.  
STACKED AT 40° SUPPORTED AT 45° LOCATION 60960 KG. 134390 LB.  
STACKED AT 45° SUPPORTED AT 40° LOCATION 60960 KG. 134390 LB.  
RACKING TEST LOAD VALUE 15240 KG. 33600 LB.

**ACEP-D  
HH-53**



"A"  
1: MEGANIUM 2000  
2: TALLEUM 400  
3: RADALEUM FHP-60

- NOTE
- LETTERS AND LINES TO BE ETCHED AND BLACK COLOR TREATED
  - ETCHED DEPTH : 0.08 - 0.12 (AVG. 0.1)
  - MAT'L : SUS 304
  - Q'TY : 1 PC/BOX
  - THK. : 0.6t

\* 100 UNITS  
RCDU 500001 - 500100

MARK	REV. DATE	SIGN	DETAIL OF REVISION
△			

TITLE **MARKING ARRANGEMENT 3**

APP'D	DATE	CUST. NAME	UNIT45	45'x2.5Mx9'6"
VERIF'D	SCALE	SPEC	SD568 - UNA - D	
DESIG'D	MODEL		GS-D568-UNA	
DRAWN	DRWG. NO.		GS-D568-UNA-09	